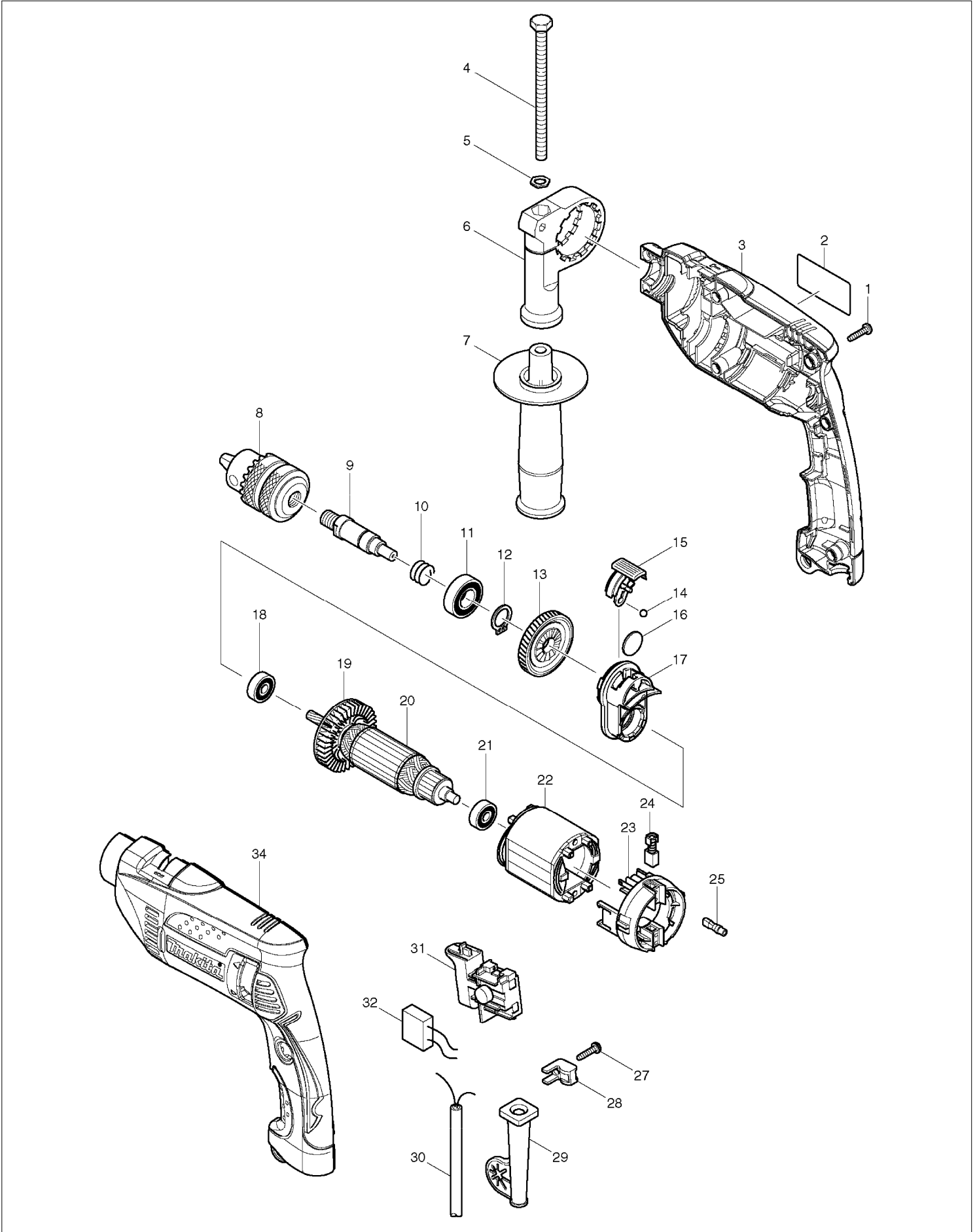


SERVICE DRAWING

MODEL NO. HP1640



SPARE PARTS LIST

MODEL NO. HP1640

ITEM	PART NO.	DESCRIPTION	QTY	NOTE
001	265995-6	TAPPING SCREW 4X18	7	
002	866001-6	HP1640 NAME PLATE	1	
003	188611-2	HOUSING SET INC. 34	1	
004	265583-9	HEX. BOLT M8X120	1	
005	345280-4	HEX. WASHER	1	
006	417630-4	GRIP BASE	1	
007	152489-9	GRIP 36 COMPLETE	1	
008	763142-8	DRILL CHUCK S13	1	
009	324397-6	SPINDLE	1	
010	233389-3	COMPRESSION SPRING 15	1	
011	211201-7	BALL BEARING 6002LLB	1	
012	961055-9	RETAINING RING S-15	1	
013	226579-5	HELICAL GEAR 45	1	
014	216018-3	STEEL BALL 5.0	1	
015	418319-7	CHANGE LEVER	1	
016	345354-1	PLATE 19	1	
017	*****	*****	***	*****
018	210023-2	BALL BEARING 627DDW	1	
019	240067-8	FAN 55	1	
020	517458-1	ARMATURE ASS'Y 220-240V INC. 18,19,21	1	
021	211028-5	BALL BEARING 627LB	1	
022	633568-7	FIELD 220-240V	1	
023	638237-5	BRUSH HOLDER UNIT	1	
024	191962-4	CARBON BRUSH CB-419	1	
025	686038-5	RECEPTACLE SLEEVE	2	
027	265995-6	TAPPING SCREW 4X18	1	
028	687260-7	STRAIN RELIEF	1	
029	682549-8	CORD GUARD 8-85	1	
030	665383-1	POWER SUPPLY CORD 1.0-2-2.0	1	
031	650570-5	SWITCH TG843TB-2	1	
032	*****	*****	***	*****
034	188611-2	HOUSING SET INC. 3	1	
A01	324219-0	DEPTH GAUGE	1	
A02	763440-0	CHUCK KEY S13	1	
A03	*****	*****	***	*****