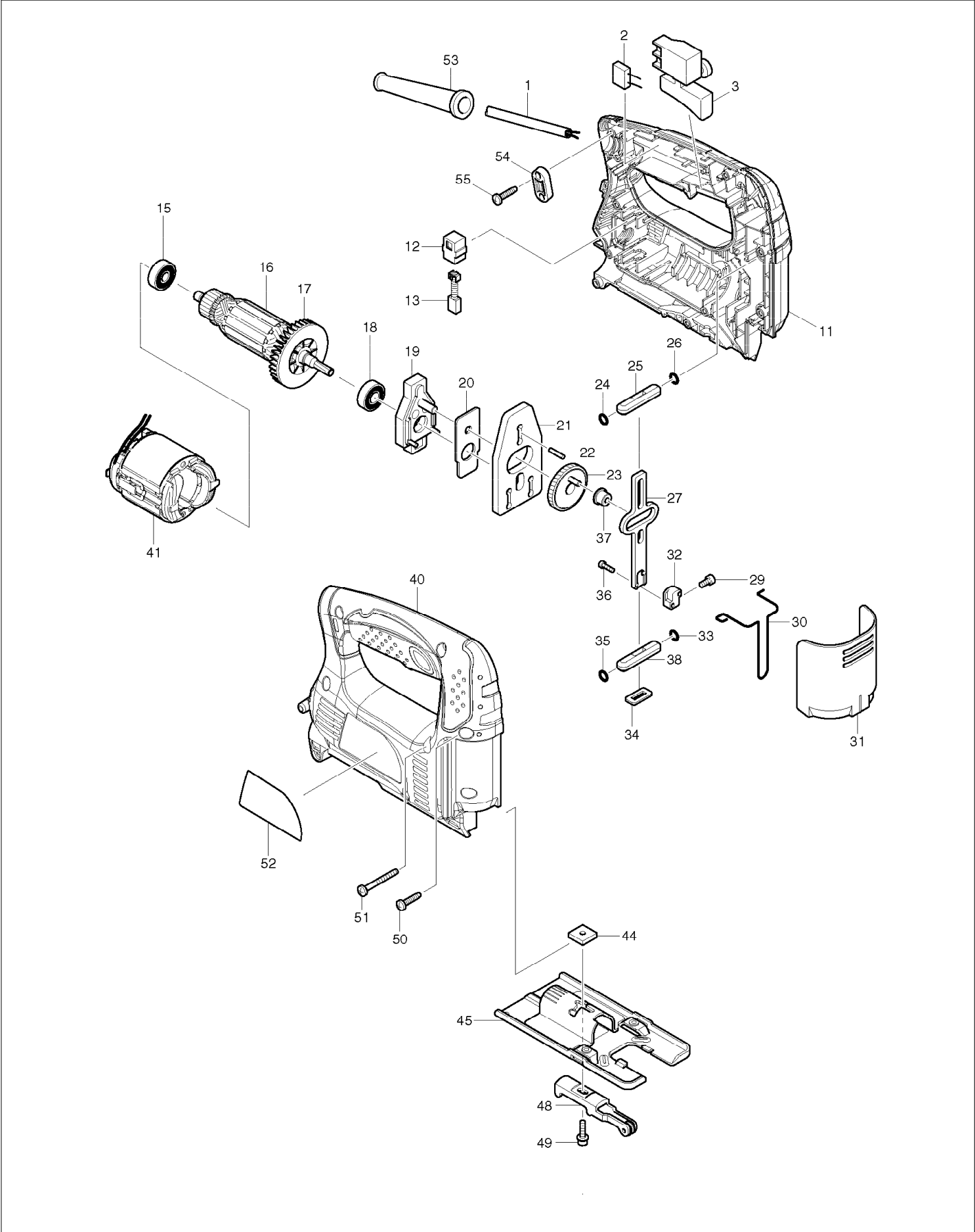


SERVICE DRAWING

MODEL NO. 4326



SPARE PARTS LIST

MODEL NO. 4326

ITEM	PART NO.	DESCRIPTION	QTY	NOTE
001	665383-1	POWER SUPPLY CORD 1.0-2-2.0	1	
002	645239-4	NOISE SUPPRESSOR	1	
003	651286-5	SWITCH SGEL206C-5	1	
011	188340-7	HOUSING SET INC. 40	1	
012	643562-1	BRUSH HOLDER 5X8	2	
013	191627-8	CARBON BRUSH CB-64	1	
015	210025-8	BALL BEARING 627LLB	1	
016	515718-5	ARMATURE ASS'Y 220V INC. 15,17,18	1	
017	241881-5	FAN 52	1	
018	210005-4	BALL BEARING 608DDW	1	
019	152577-2	BEARING CASE COMPLETE	1	
020	344615-6	THRUST PLATE	1	
021	344614-8	BALANCE PLATE	1	
022	256254-9	PIN 3	1	
023	153254-9	GEAR COMPLETE	1	
024	213038-8	O RING 5	1	
025	313082-6	SLIDER GUIDE	1	
026	213038-8	O RING 5	1	
027	344613-0	SLIDER	1	
029	922107-1	HEX. SOCKET HEAD BOLT M4X8	1	
030	323748-0	SAFETY WIRE	1	
031	416476-5	DUST COVER	1	
032	313140-8	BLADE CLAMP	1	
033	213038-8	O RING 5	1	
034	423307-1	POLY URETANE SPONGE SEAL	1	
035	213038-8	O RING 5	1	
036	266177-3	HEX. SOCKET HEAD BOLT M3X10	2	
037	257683-9	COLLAR SLEEVE	1	
038	313082-6	SLIDER GUIDE	1	
040	188340-7	HOUSING SET INC. 11	1	
041	633658-6	FIELD 220-240V	1	
044	343540-8	HOLDER	1	
045	163397-9	BASE	1	
048	158393-0	RETAINER COMPLETE	1	
049	922128-3	HEX. SOCKET HEAD BOLT M4X16	1	
050	265995-6	TAPPING SCREW 4X18	9	
051	266053-1	TAPPING SCREW 4X35	1	
052	863938-8	4326 NAME PLATE	1	
053	682569-2	CORD GUARD 8-85	1	
054	687124-5	STRAIN RELIEF	1	
055	265995-6	TAPPING SCREW 4X18	2	
A01	A-85628	JIGSAW BLADE NO.B10	1	AEPD-010/96
A02	783201-2	HEX. WRENCH 3	1	